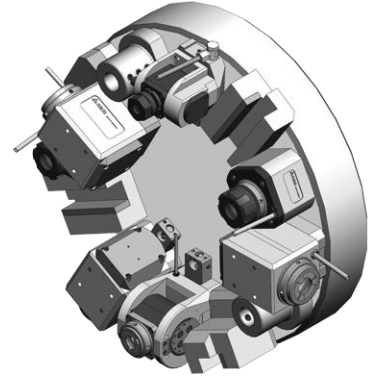
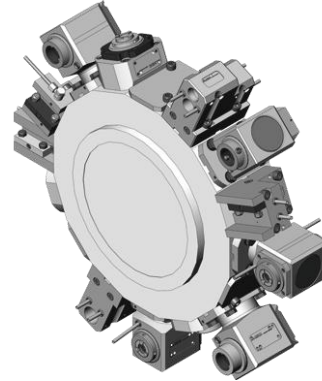


BENZ Inc. - Static Toolholders



	Article-No.	Connection	Description	Price
	B3 30 x 1.000 x 40	VDI 30	1" x 1" Square shank	\$ 171.00
	B3 40 x 1.000 x 40	VDI 40	1" x 1" Square shank	\$ 187.00
	C4 40 x 1.000	VDI 40	1" x 1" Square shank	\$ 295.00
	E2 30 x 1.250	VDI 30	Ø 1.250"	\$ 159.00
	E2 40 x 1.250	VDI 40	Ø 1.250"	\$ 159.00
	1.25-0.312-60	OD Ø 1.250"	ID 5/16" sleeve	\$ 67.00
	1.25-0.375-60	OD Ø 1.250"	ID 3/8" sleeve	\$ 67.00
	1.25-0.500-60	OD Ø 1.250"	ID 1/2" sleeve	\$ 67.00
	1.25-0.625-60	OD Ø 1.250"	ID 5/8" sleeve	\$ 67.00
	1.25-0.750-60	OD Ø 1.250"	ID 3/4" sleeve	\$ 67.00
	1.25-1000-60	OD Ø 1.250"	ID 1" sleeve	\$ 67.00



BENZ Inc. - Static Toolholders

	Article-No.	Connection	Description	Price
	E4-30-32	VDI 30	ER32 Collet Chuck	\$ 239.00
	E4-40-32	VDI 40	ER32 Collet Chuck	\$ 269.00
	114.1.250	VDI 40	Ø 1.25" Boring Bar Holder	\$ 1,018.00
	SSER-32	Ø 20mm Shank	ER32 Collet Chuck	\$ 218.38
	VP 1.25-0.375-63	OD Ø 1.250"	ID 3/8" sleeve	\$ 100.00
	VP 1.25-0.500-63	OD Ø 1.250"	ID 1/2" sleeve	\$ 100.00
	VP 1.25-0.750-63	OD Ø 1.250"	ID 3/4" sleeve	\$ 100.00
	VP 1.25-1000-63	OD Ø 1.250"	ID 1" sleeve	\$ 100.00
	VPP 1.25-0.375-63	OD Ø 1.250"	ID 3/8" sleeve	\$ 150.00
	VPP 1.25-0.500-63	OD Ø 1.250"	ID 1/2" sleeve	\$ 150.00
	VPP 1.25-0.750-63	OD Ø 1.250"	ID 3/4" sleeve	\$ 150.00
	VPP 1.25-1000-63	OD Ø 1.250"	ID 1" sleeve	\$ 150.00

Please consider that other Forms and Sizes are also available!

Feel free to contact us with any questions!

Phone: (704) 529-5300 | Fax: (704) 529-5009 | Email: mail@benz-inc.com

